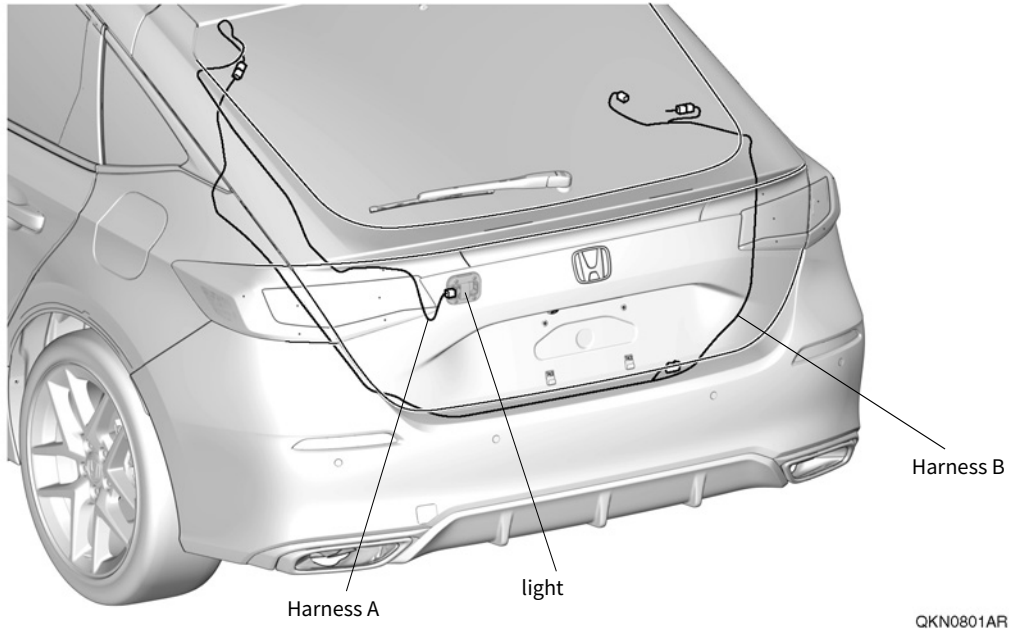


LED tailgate light

**CIVIC**

Installation outline diagram



## For safe installation (Please read carefully)

### About caution marks

- This manual uses the symbols below to explain the possibility of injury to the operator or others, as well as advice regarding installation.

**⚠ 危険**

指示に従わないと、死亡または重大な傷害に至るもの

**⚠ 警告**

指示に従わないと、死亡または重大な傷害に至る可能性があるもの

**⚠ 注意**

指示に従わないと、傷害をうける可能性があるもの

**アドバイス**

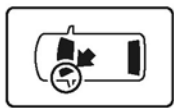
故障、破損するのを防ぐためのアドバイスや、知っておくと便利なこと



禁止事項

## About icons

- 作業する場所と作業者の目線を下記のアイコンを使って表示します。



車両に対しての場所



インストルメントパネル付近に対しての場所

- 作業中に必ず守っていただくことを下記のアイコンを使って表示します。



保護めがねを着用する



革手袋を着用する



二人作業を行う



部品を段ボールまたは毛布の上に置く



バリを取り除く



タッチアップペイントを塗布し、十分に乾燥させる



部品を保管(お客様へ返却)する



貼り付け面を十分に圧着する



指定トルクで締め付ける

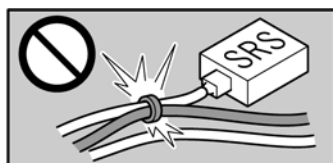


面に対して垂直に作業を行う



脱脂洗浄剤で清掃する

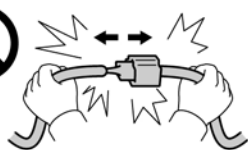
## Precautions when handling the wire harness



用品ハーネスとSRSハーネスを一緒にクランプしないこと。(指示がある場合を除く)



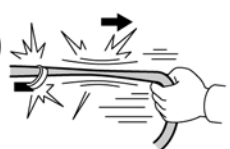
カブラ、端子の接続は、確実にロックするまで差し込むこと。



カブラ、端子類の接続を外す時は、ハーネスを引っ張らないこと。



ステー等から取り外したカブラは必ず元に戻すこと。



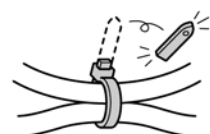
ハーネス類は強く引っ張らないこと。



用品ハーネスは、垂れ下がらないよう指定された場所にクランプすること。



ハーネス類は部品にかみ込ませないこと。



ハーネスバンドの余った部分は、カットすること。

## General notes

- Perform work in accordance with the maintenance information and related matters listed in the service manual in addition to the instructions in the installation manual. Pay particular attention to safety.
- Do not damage or damage the vehicle body or its parts.
- Be especially careful with clips, claws, etc.
- Check the installation condition before removing vehicle parts in case of restoration.
- Illustrations may differ slightly due to vehicle installation changes, etc.

### Precautions regarding electrical components

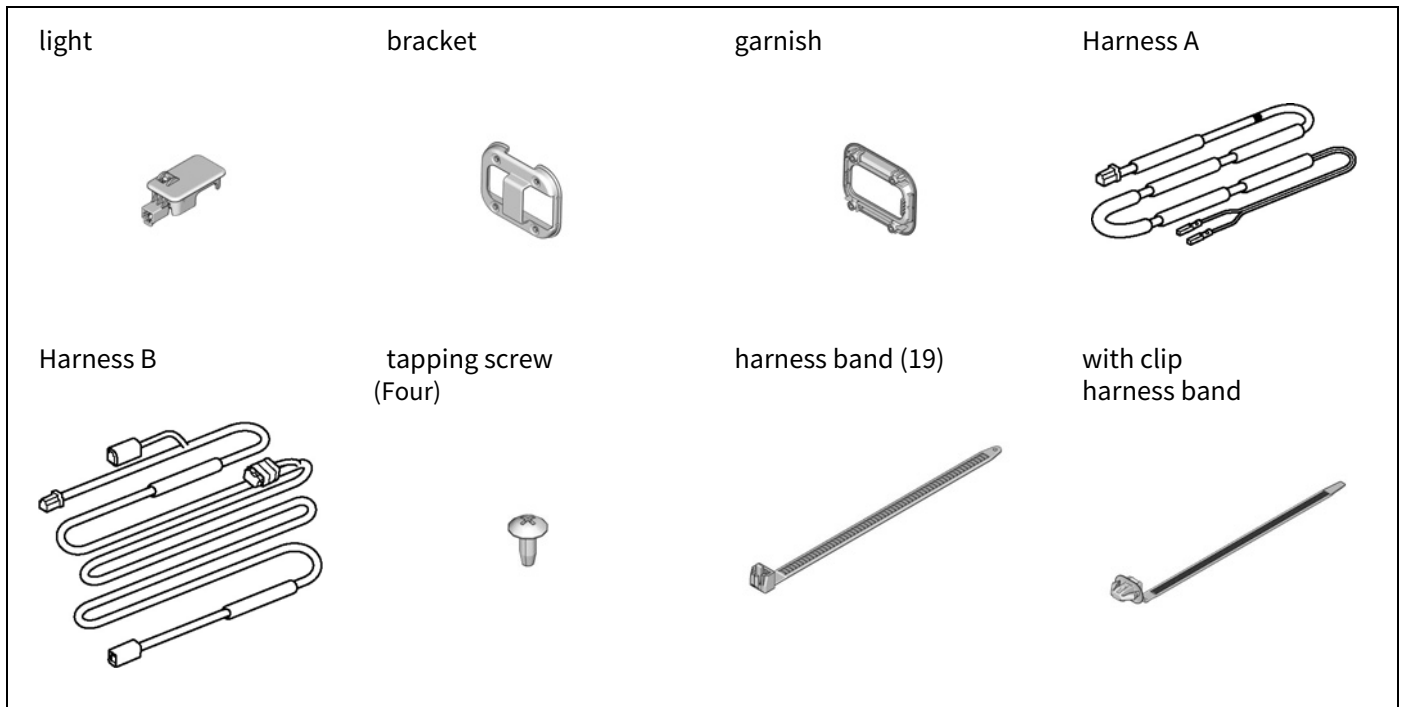
- Never perform installation work with the negative (-) terminal of the battery connected. .

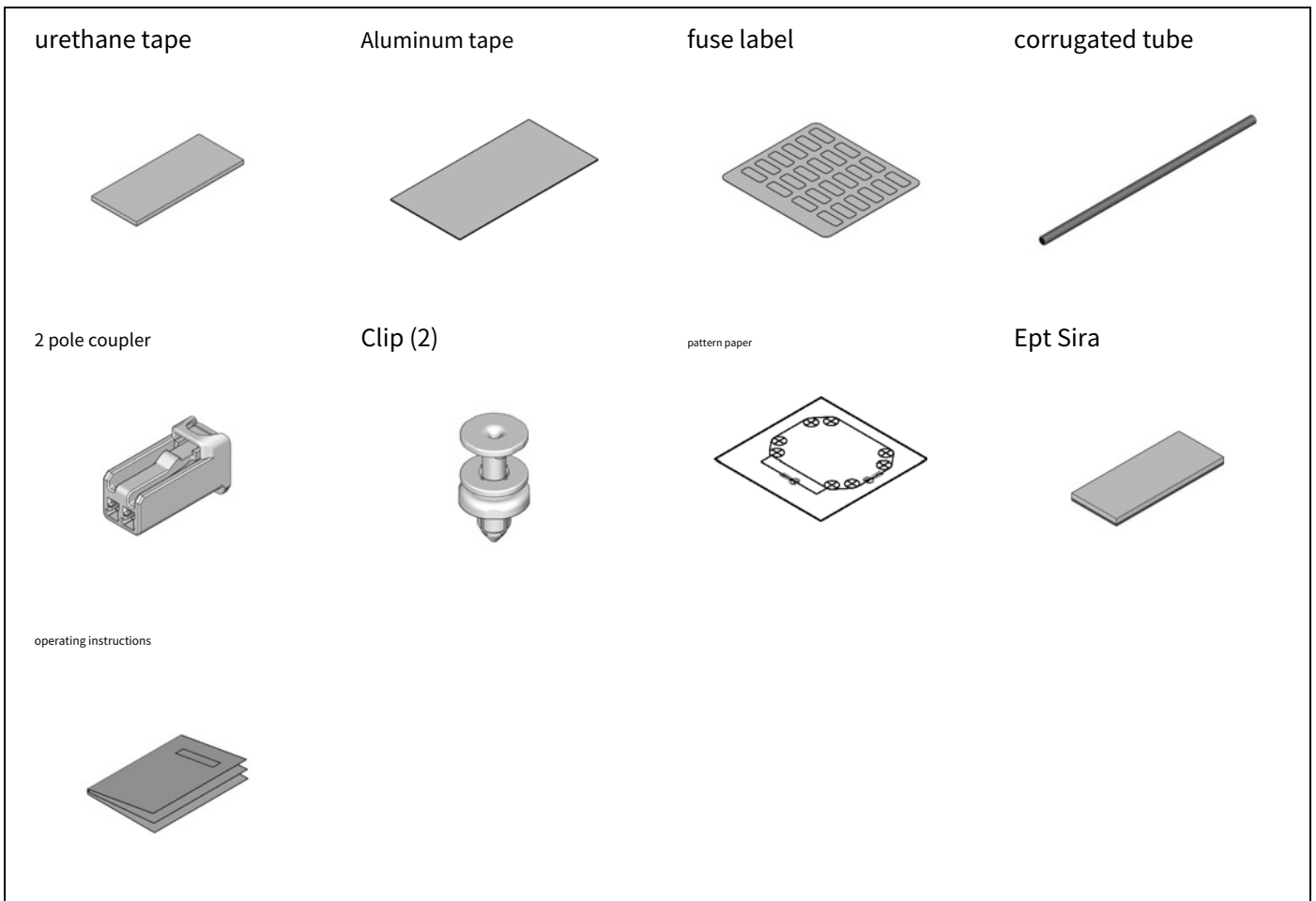
### Notes regarding this product

- **Be sure to use bolts, screws, etc. that are specified in this manual. Using similar parts may cause problems.**
- **Do not perform installation or pasting work in areas exposed to direct sunlight or dust.**
- When performing pasting work, maintain the temperature of the pasting surface between 15 and 40°C.
- **Particularly at low temperatures, the adhesiveness of tapes, films, etc. may decrease, so warm up the surface before pasting.**
- **Be careful not to damage the product or vehicle parts and apply sufficient pressure.**
- **Be careful not to reapply it. If you reapply it, it may be damaged or the tape or film may not perform to its full potential.**

### Component part

## LED tailgate light kit





#### Required tools/equipment

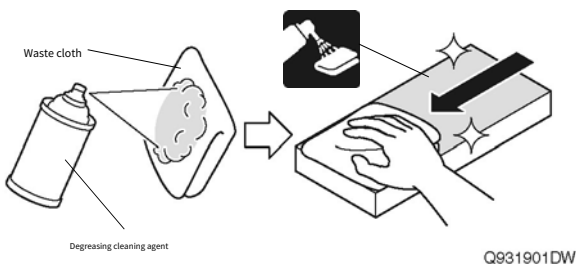
- Spanner
- Ratchet
- Drill blade
- Adhesive tape
- knife
- Masking tape
- Radio pliers
- Ruler
- Circular saw
- Phillips screwdriver
- socket
- Safety glasses
- Waste cloth
- A flat-head screwdriver
- Felt-tip pen
- Insulating tape
- Rubber hammer
- Handy remover set  
(KTC ATP2014) equivalent product
- Nippers
- Drill
- File
- Degreasing detergent (Honda genuine product)
- Gabyo
- wire
- scissors
- Round bar

Installation methods and instructions

How to clean with degreasing detergent

- Soak a cloth in degreasing detergent and completely wipe off oil, dirt, dirt, etc. from the surface to be pasted.

アドバイス
<ul style="list-style-type: none"> <li>• Be sure to use Honda genuine degreasing agents.</li> <li>• Do not apply degreasing detergent directly to the surface to be pasted.</li> <li>• Allow it to dry thoroughly before pasting.</li> </ul>



Battery negative (-) terminal removal

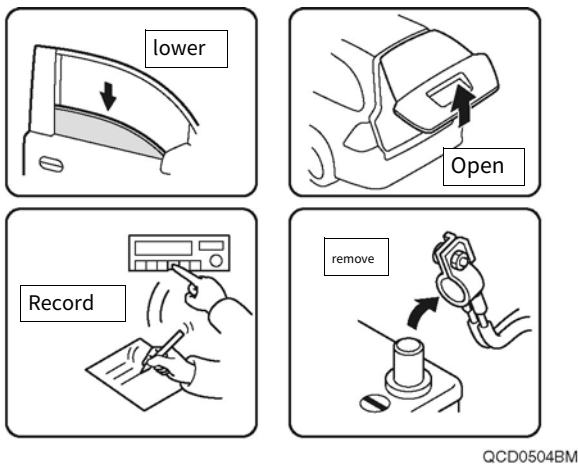
1. Perform the work before removing the battery.

アドバイス
<ul style="list-style-type: none"> <li>• Prevent the tailgate from locking.</li> </ul>

2. Audio, navigation, etc. as needed  
Record some settings.

3. Disconnect the negative (-) terminal of the battery.

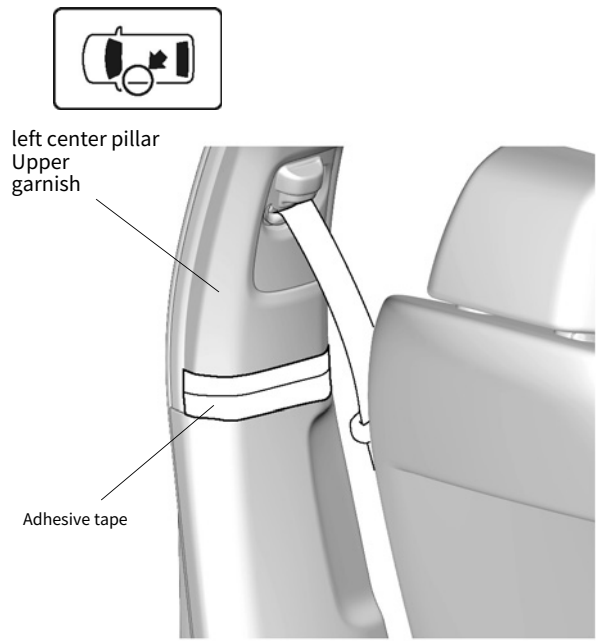
アドバイス
<ul style="list-style-type: none"> <li>• For hybrid vehicles, disconnect the negative (-) terminal of the battery for 3 minutes after turning off the POWER switch. Do not remove it.</li> </ul>



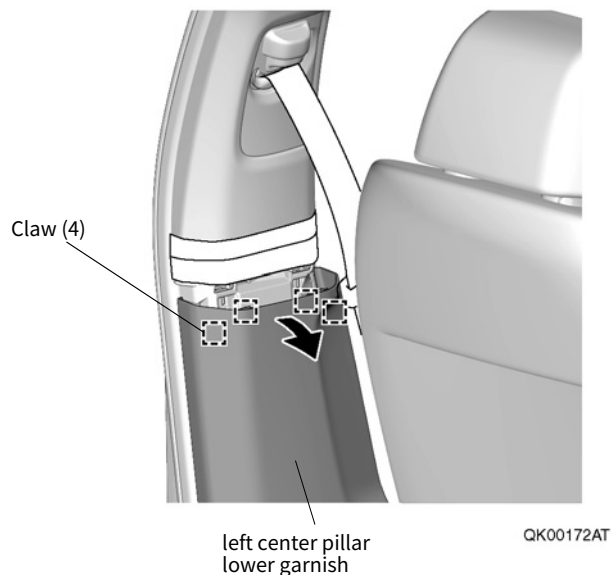
Removal of vehicle parts

- Four. Apply adhesive tape to protect the vehicle.

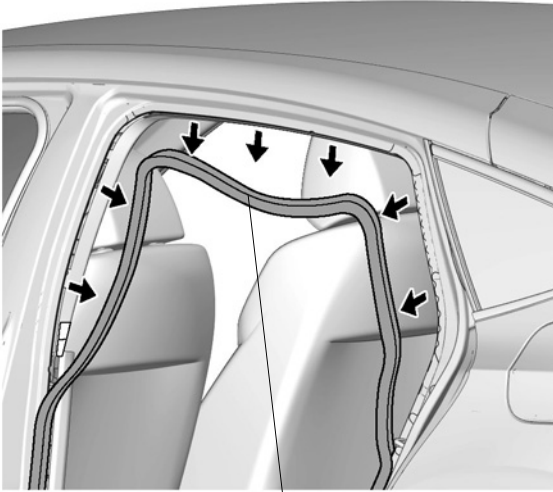
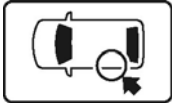
アドバイス
<ul style="list-style-type: none"> <li>• Do not remove the adhesive tape until the restoration process is complete.</li> </ul>



- Five. Raise the left center pillar lower garnish.



6. Flip over the door opening sticker.



door opening seal

QK00182AT

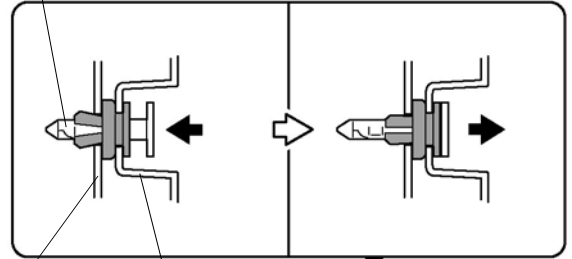
7. Remove the cap.

8. Hit the clip.



clip

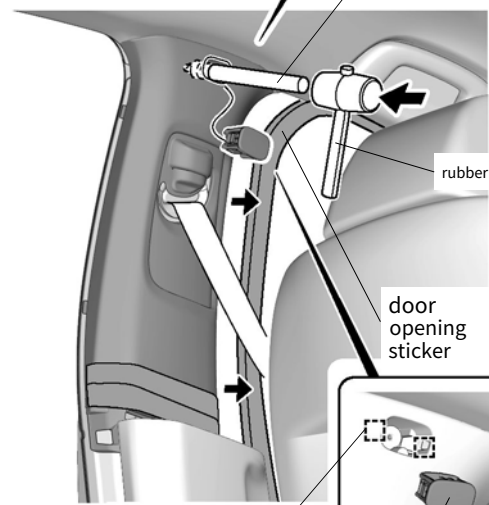
<Cross-sectional view>



vehicle panel

left center pillar  
Upper garnish

Round bar



rubber hammer

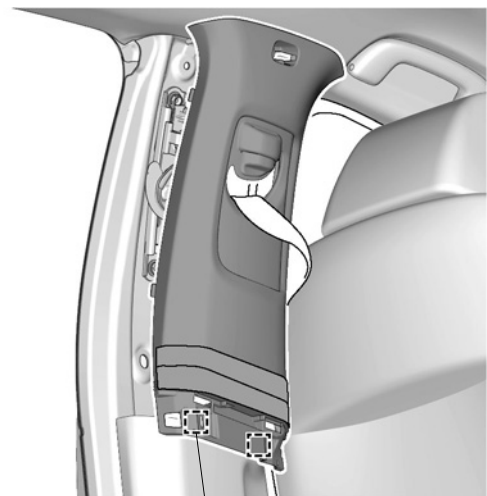
door opening sticker

Claw (2)

cap

QK00173BT

9. Raise the left center pillar upper garnish.



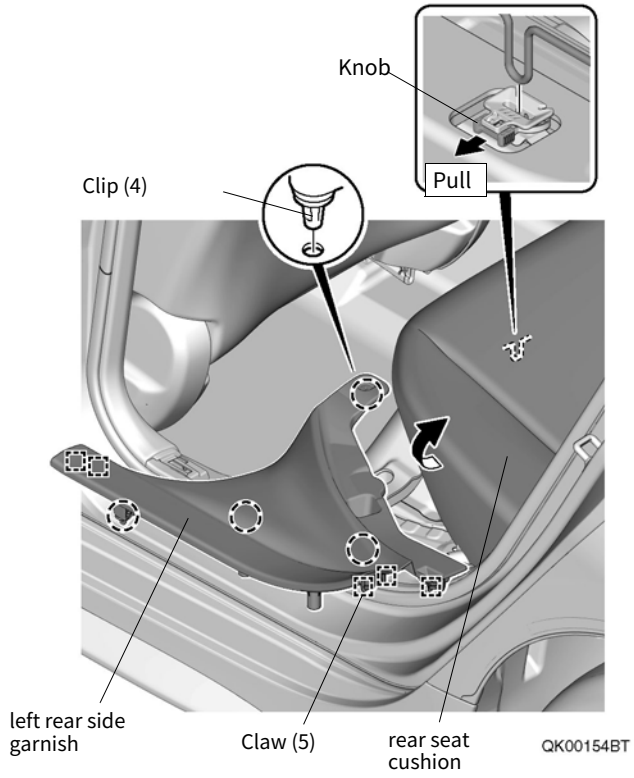
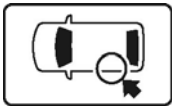
Claw (2)

QK00174BT

Ten. Follow the instructions below.

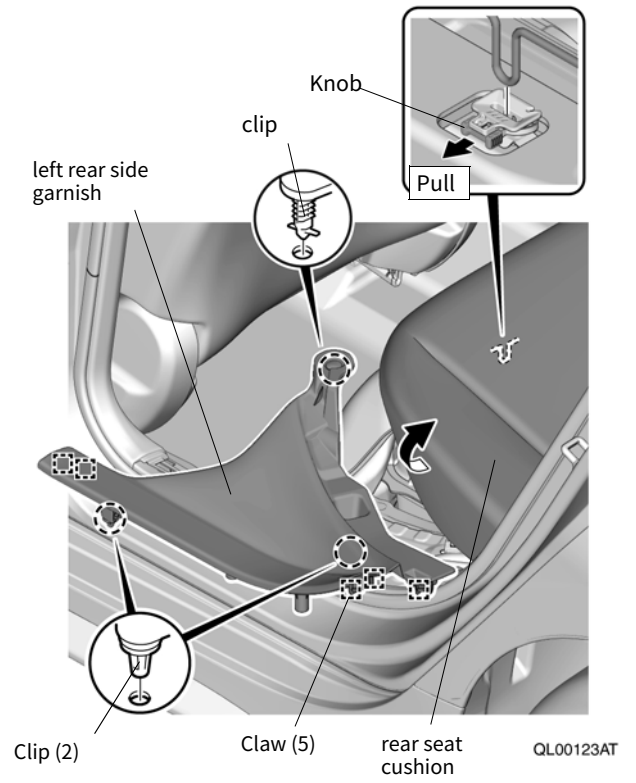
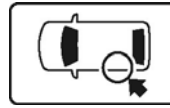
- |                |               |
|----------------|---------------|
| • Gasoline car | Go to step 11 |
| • Hybrid car   | Go to step 12 |

### 11. Remove the left rear side garnish.



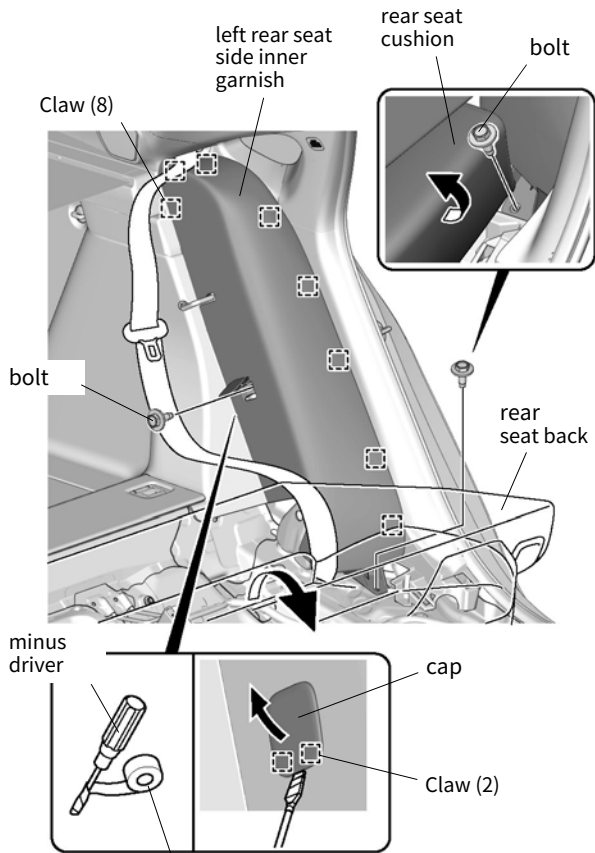
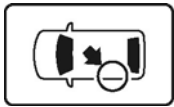
Go to step 13

### 12. Remove the left rear side garnish.



13. Remove the left rear seat side inner garnish.

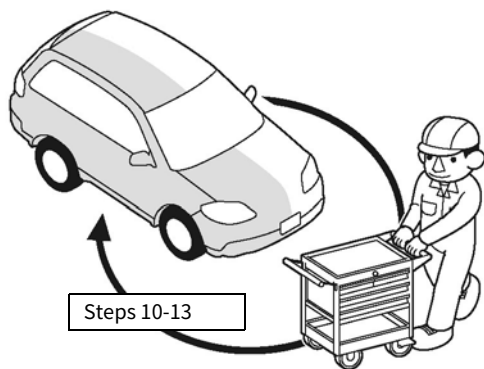
remove.



Adhesive tape

QK00162AT

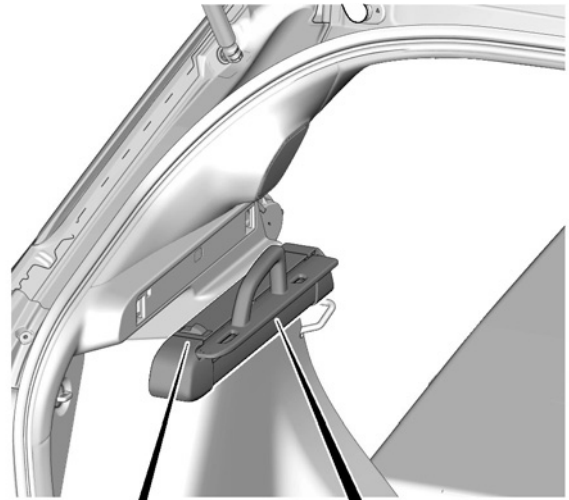
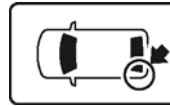
14. Do the same thing on the other side.



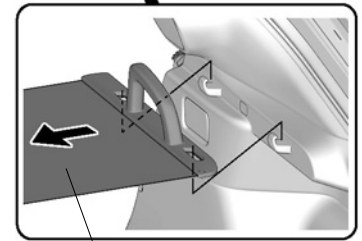
Steps 10-13

Q9D1014AM

15. Remove the tonneau cover.



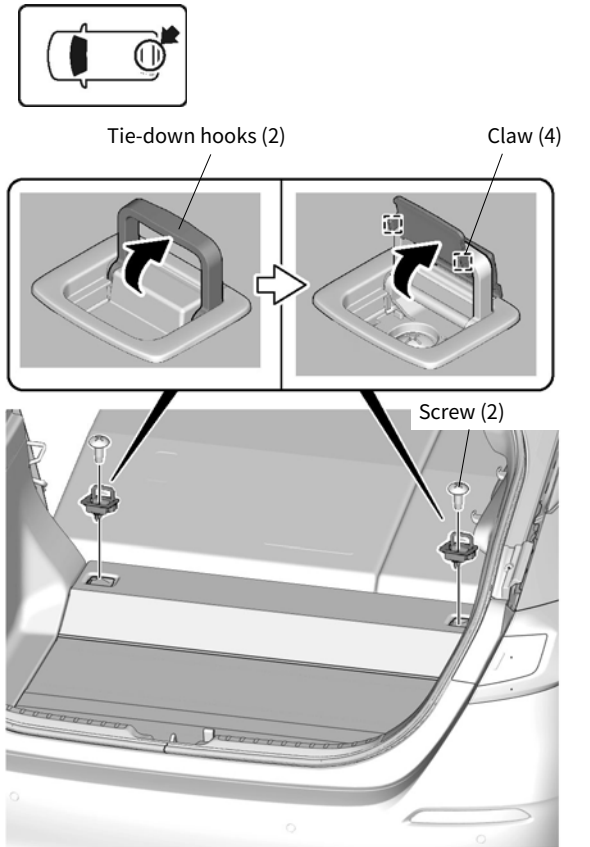
button



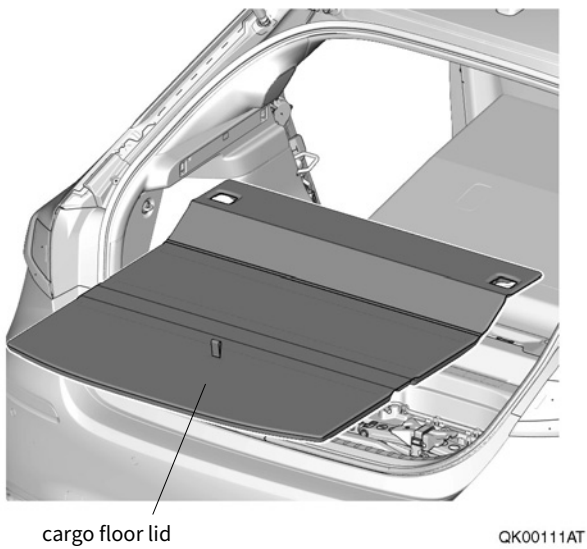
tonneau cover

QK00109AT

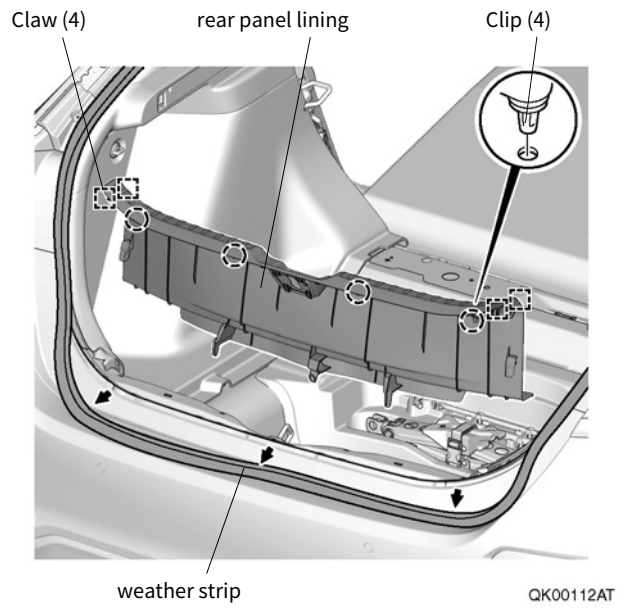
16. Remove tie-down hooks.



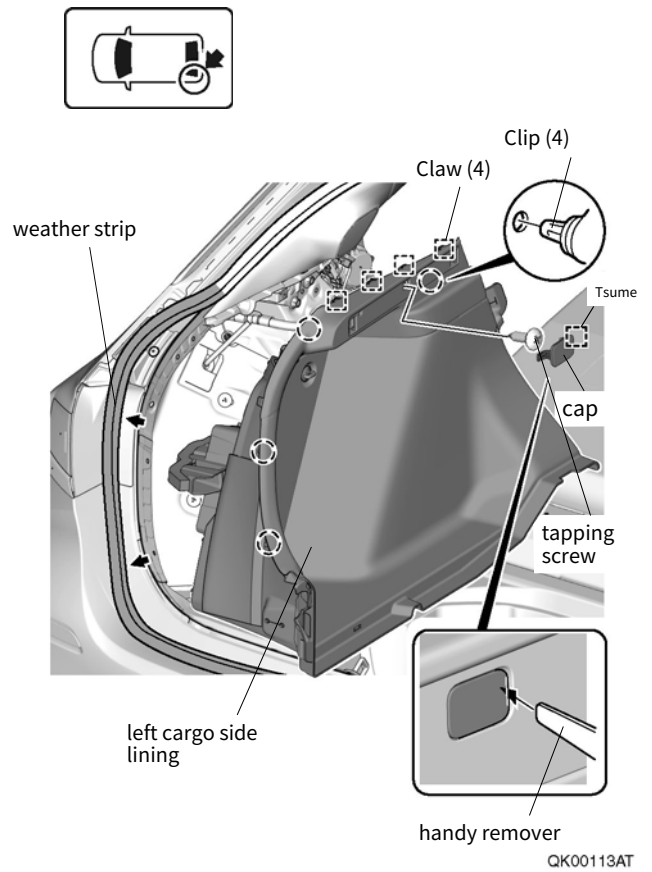
17. Remove the cargo floor lid.



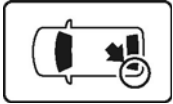
18. Remove the rear panel lining.



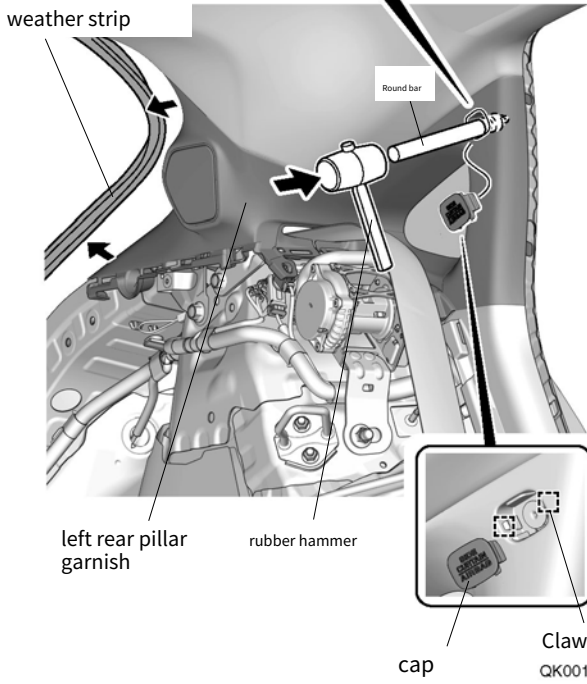
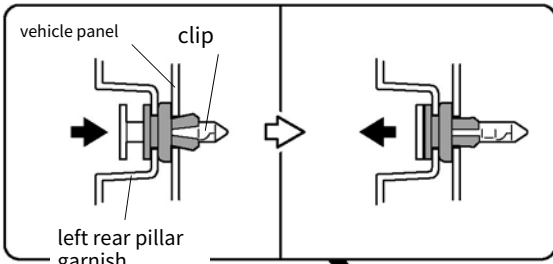
19. Remove the left cargo side lining.



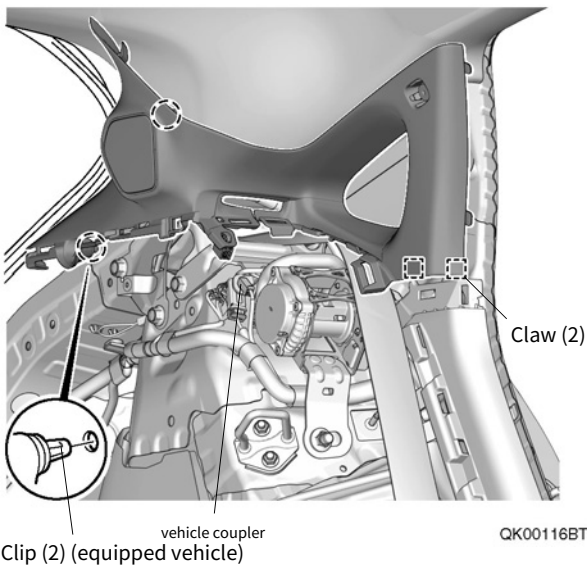
20. Remove the cap.  
 twenty one. Hit the clip.



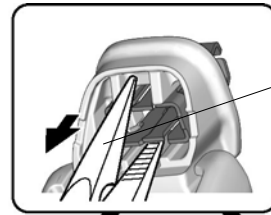
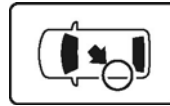
<Cross-sectional view>



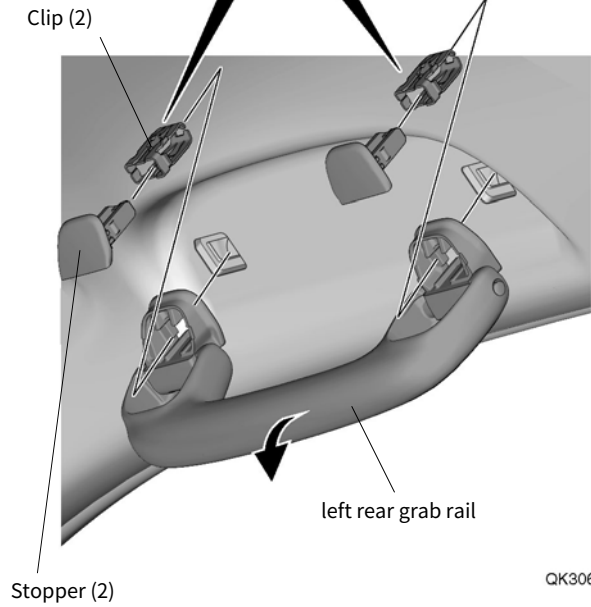
twenty two. Remove the left rear pillar garnish.



twenty three. Remove the left rear grab rail.

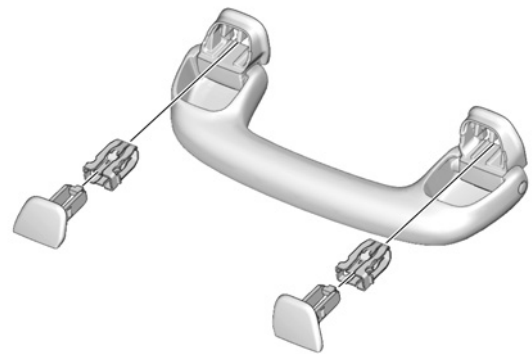


radio pliers  
 pinch the clip  
 draw out



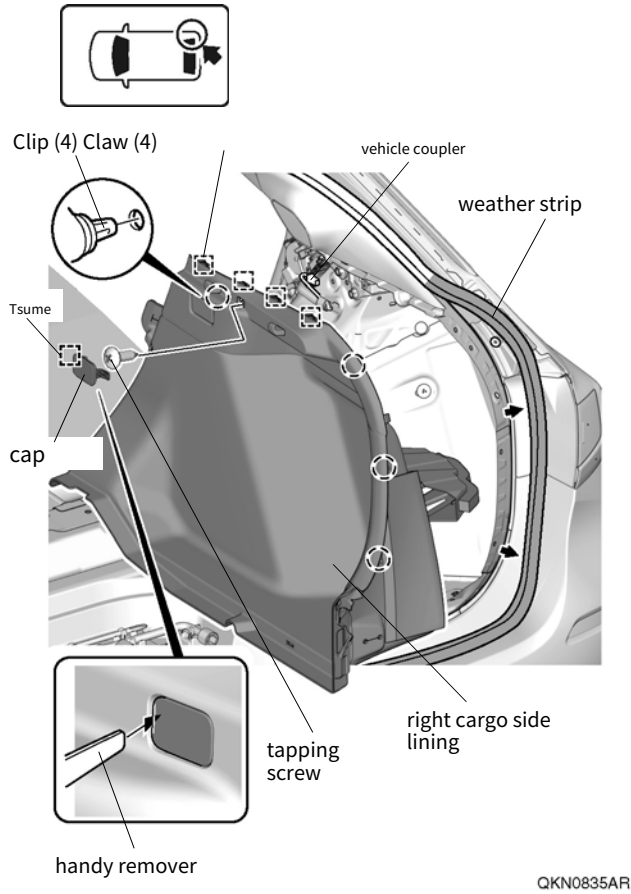
QK30625AT

twenty four. Attach the stopper and clip.

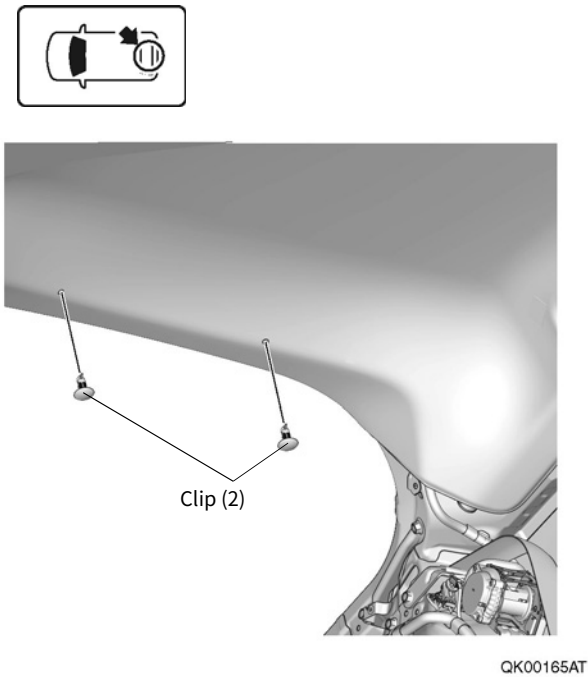


QK30627AT

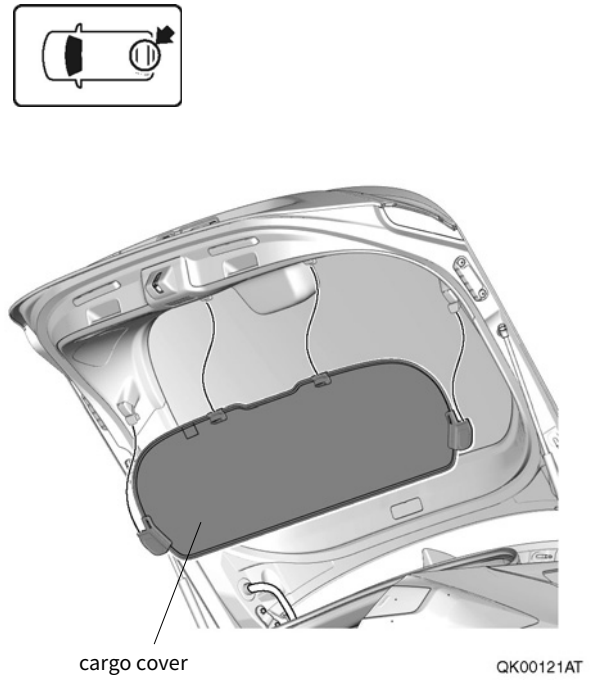
twenty five. Remove the right cargo side lining.



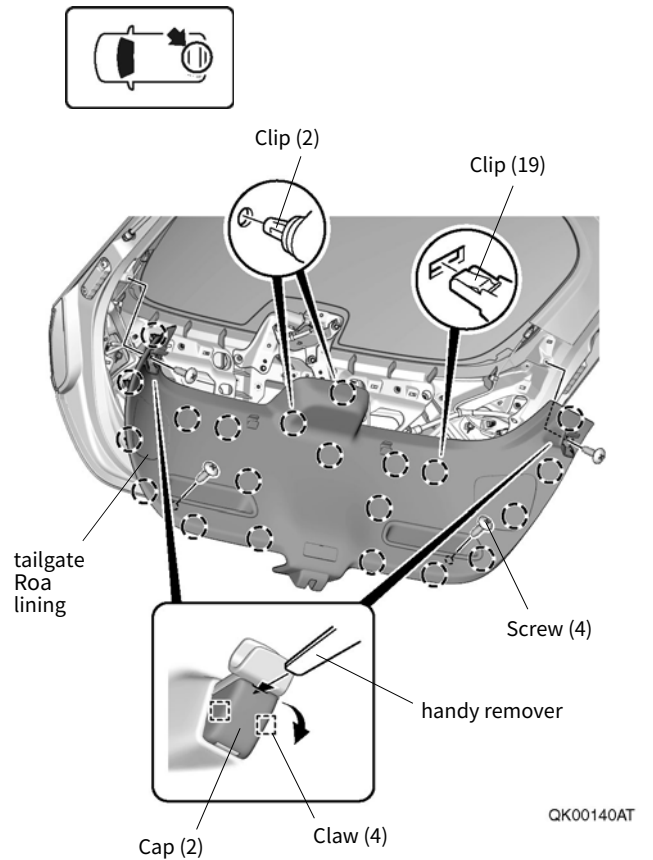
26. Remove the clip.



27. Remove the cargo cover.



28. Remove the tailgate lower lining.

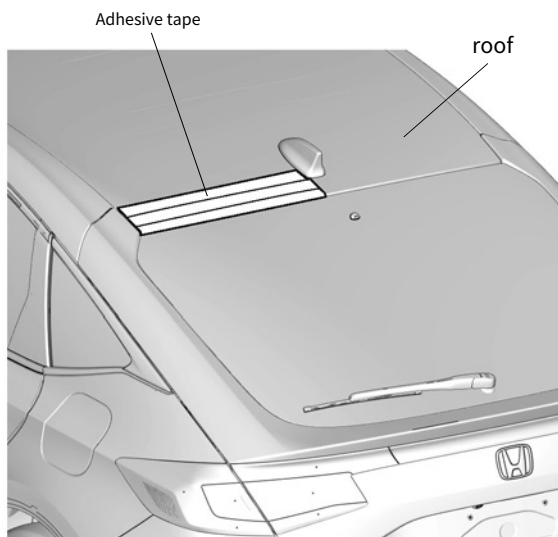
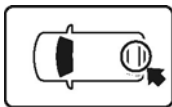


## Wiring of harness A

29. Apply adhesive tape to protect the vehicle.

### アドバイス

- Do not remove the adhesive tape until the restoration process is complete.



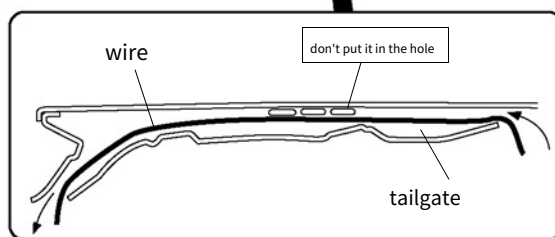
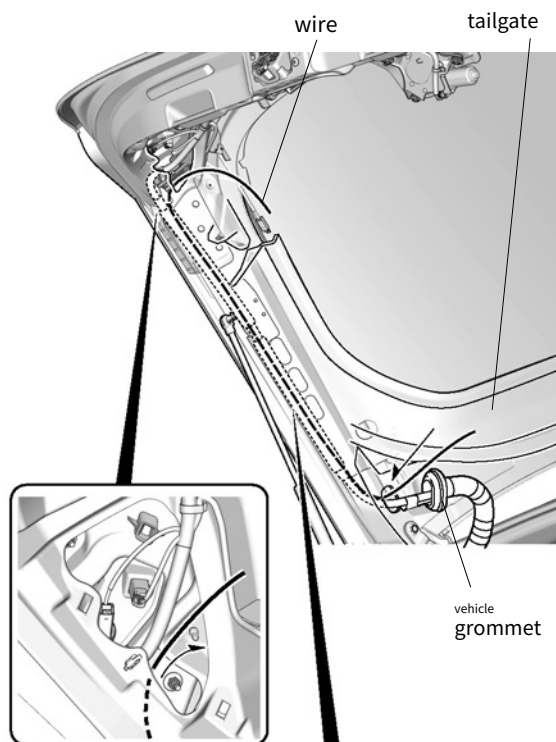
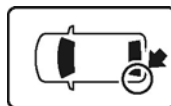
QKN0140AT

30. Remove the vehicle grommet.

31. Pass the wire through.

### アドバイス

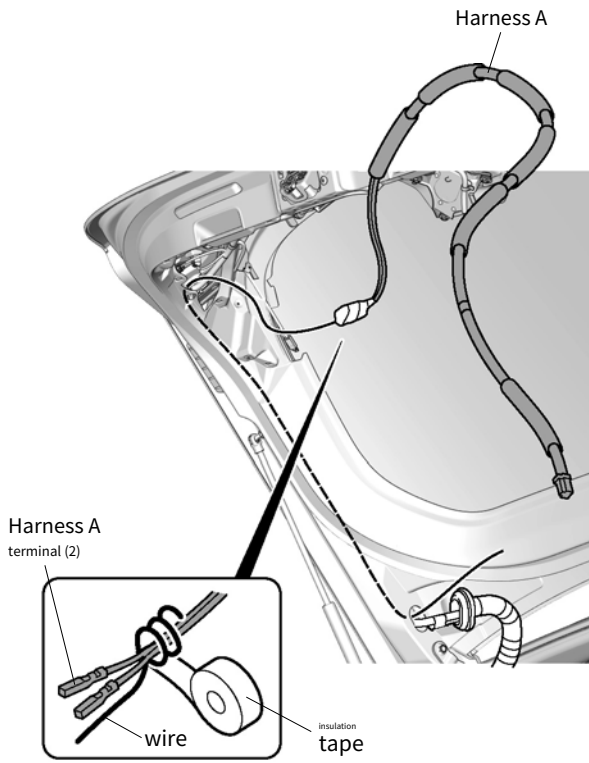
- Use the wire with it stretched straight.
- Be careful not to damage the vehicle harness with the tip of the wire.



<Cross-sectional view>

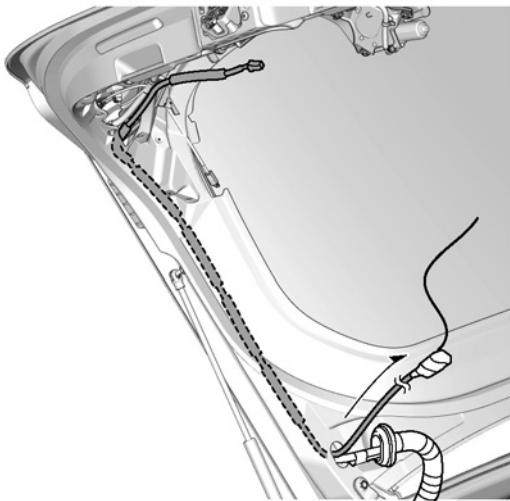
QKN0802DR

32. Attach the wire.



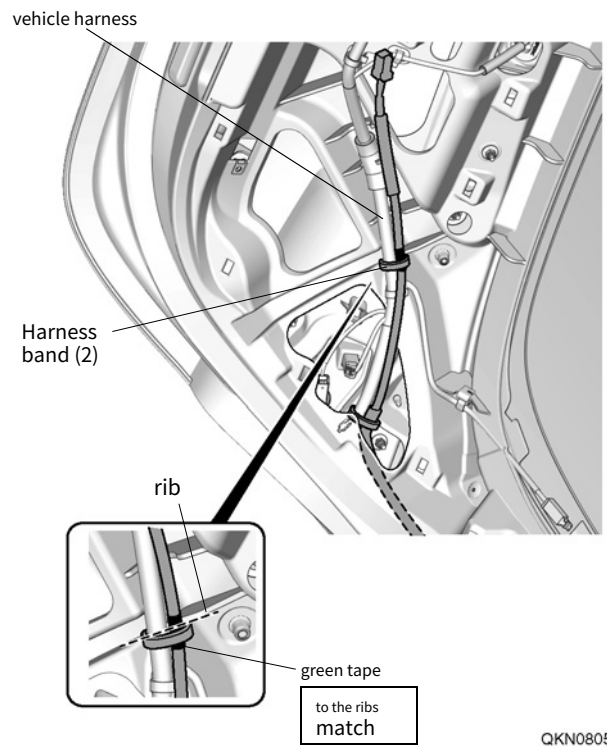
QKN0803BR

33. Route harness A.



QKN0804AR

34. Secure harness A.



QKN0805AR

35. Disconnect the vehicle coupler.

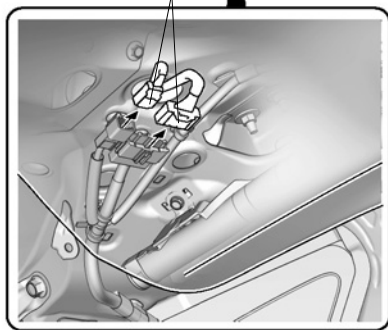
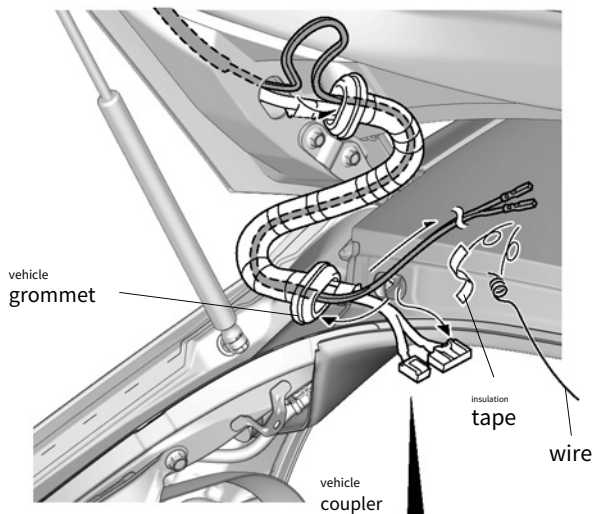
36. Remove the vehicle grommet.

37. Route harness A.

### アドバイス

- Be careful not to crease the roof lining.
- Be careful not to damage the vehicle grommet or harness with the tip of the wire.
- Be careful not to let the wire get tangled in the harness inside the vehicle grommet.

38. Remove the wire.



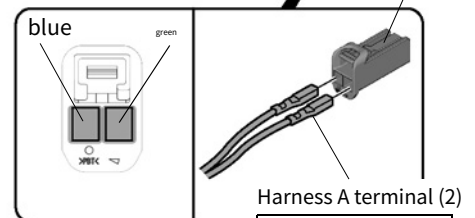
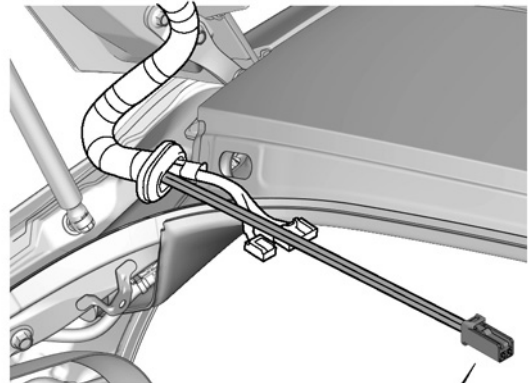
<View from the opposite side>

QKN0806AR

39. Insert the terminal of harness A.

### アドバイス

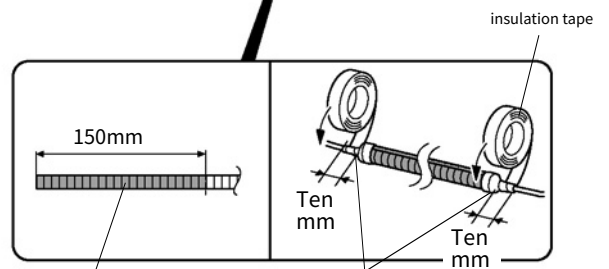
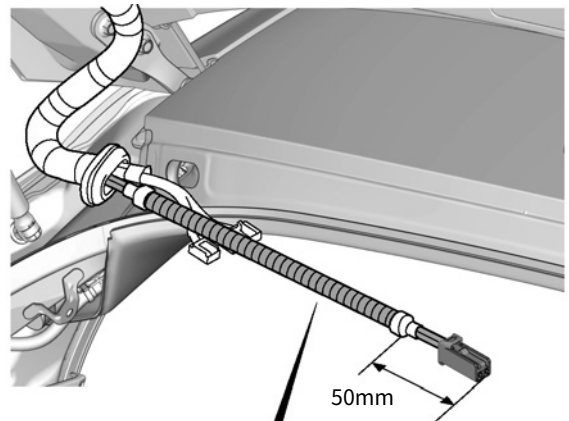
- Pay attention to the position and orientation of the terminals.
- Make sure to insert the terminal securely.



<From the harness side View>

QKN0807AR

40. Install the corrugated tube.



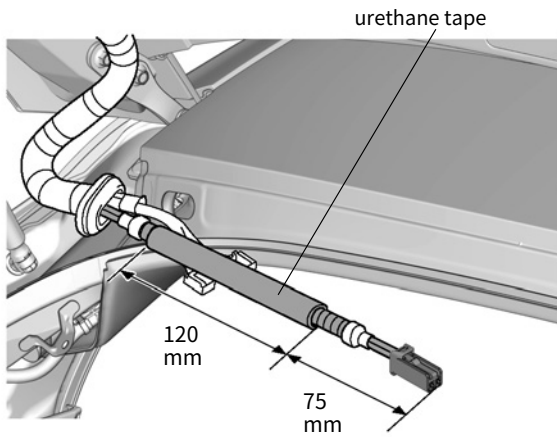
corrugated tube

cut into pieces

colgate tube end

QKN0808CR

41. Wrap with urethane tape.

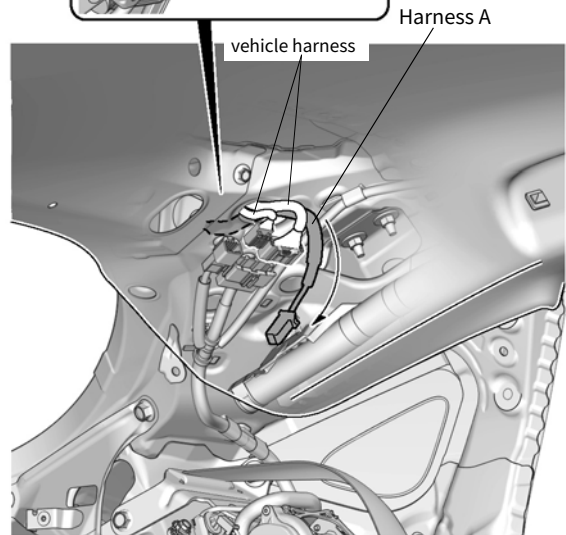
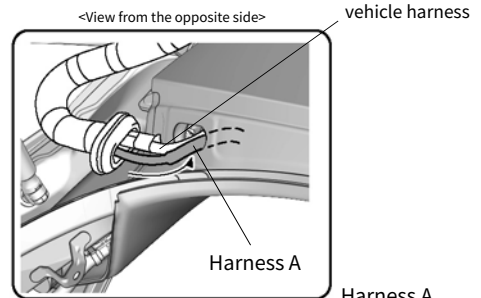
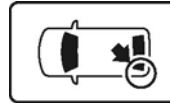


QKN0809DR

42. Connect harness A to the vehicle harness.

### アドバイス

- Be careful not to crease the roof lining.



QKN0810AR

43. Replace the vehicle grommet removed in steps 30 and 36.  
Attach to.

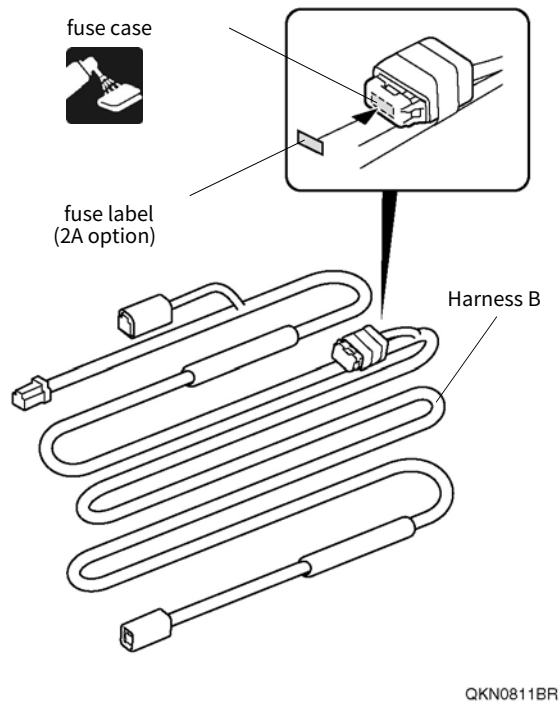
### アドバイス

- Hold the grommet when installing.
- Install grommets securely.

44. Reconnect the vehicle coupler removed in step 35.

## Wiring of harness B

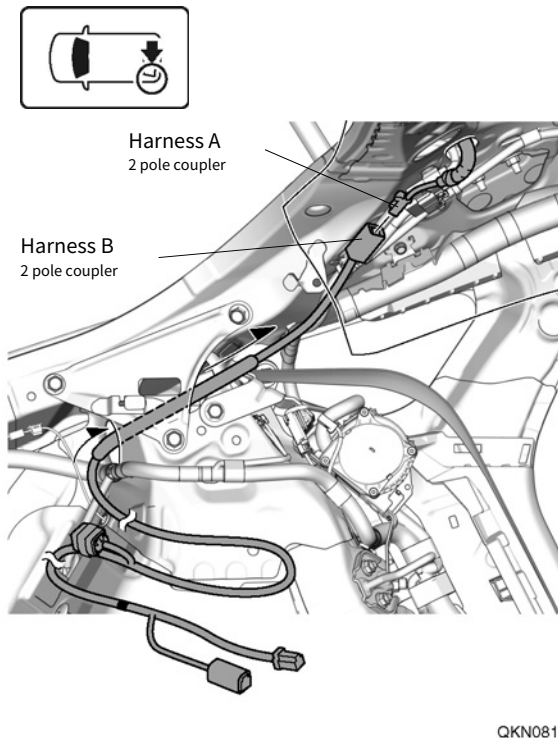
45. Attach the fuse label.



46. Connect coupler of harness A.

### アドバイス

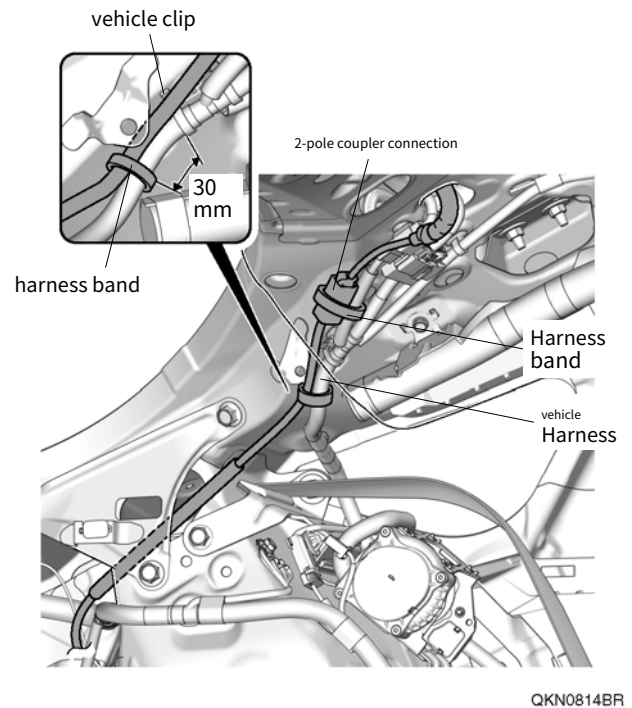
- Be careful not to crease the roof lining.



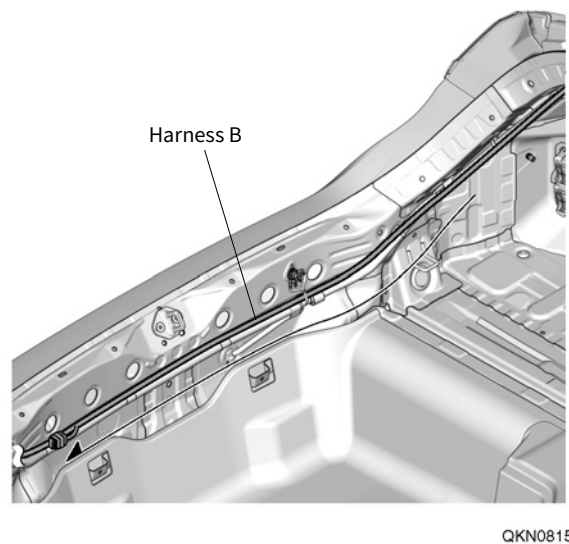
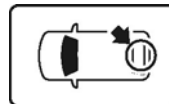
47. Secure harness B and the coupler connection.

### アドバイス

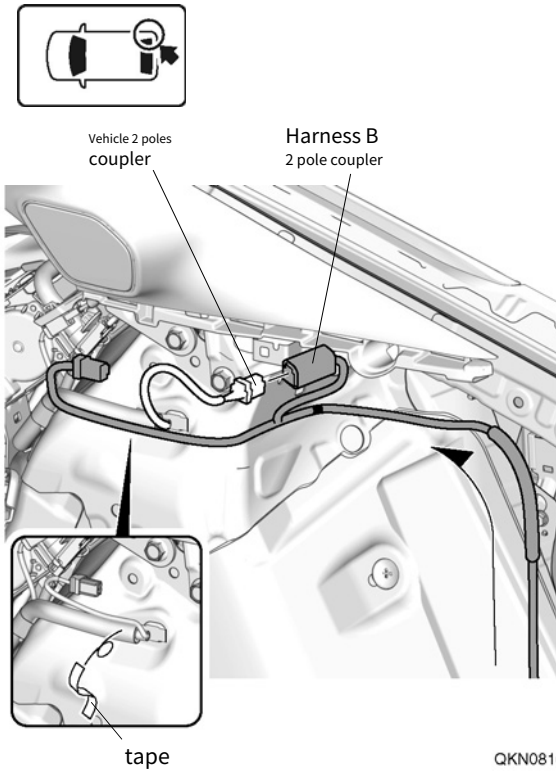
- Be careful not to crease the roof lining.



48. Route harness B.



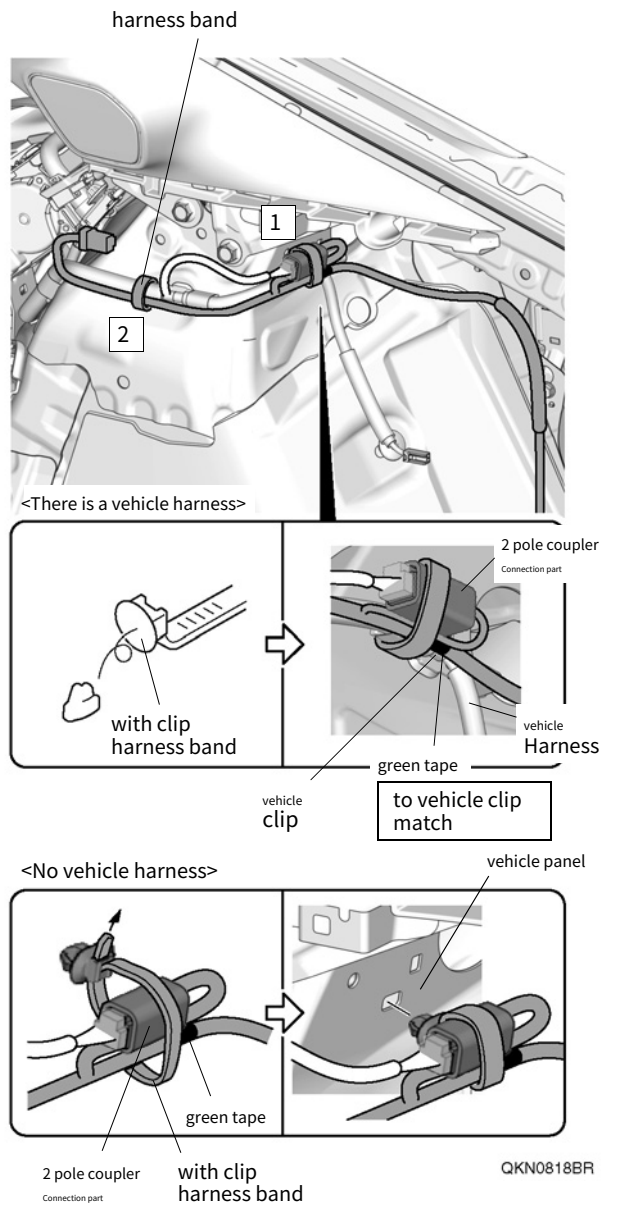
49. Connect the vehicle coupler.



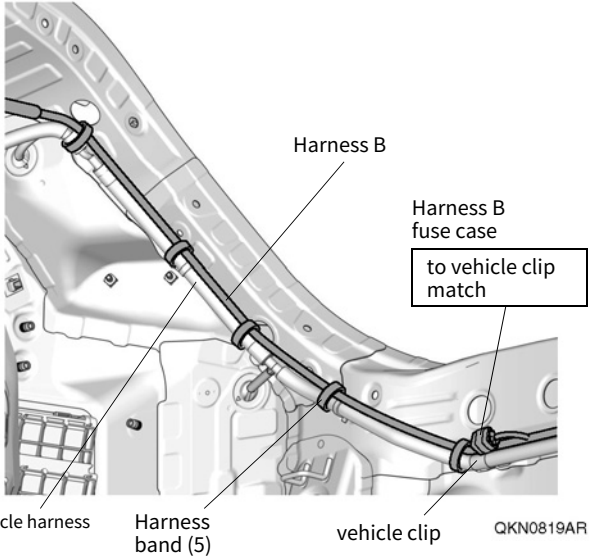
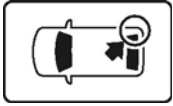
50. Secure the coupler connection and harness B.

**アドバイス**

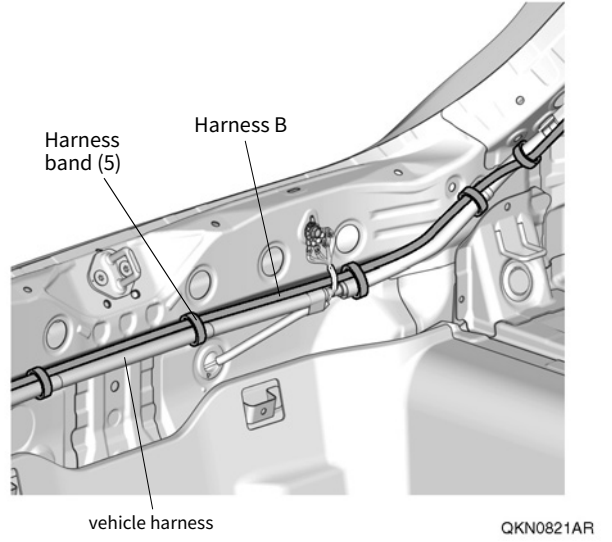
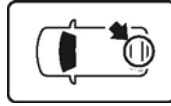
• Install in the order shown in the illustration.



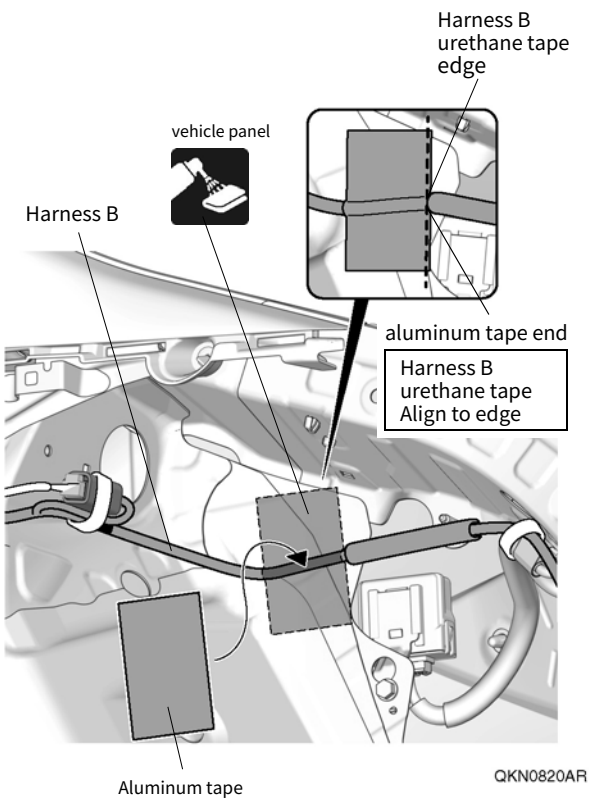
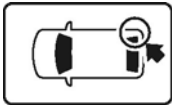
51. Secure harness B.



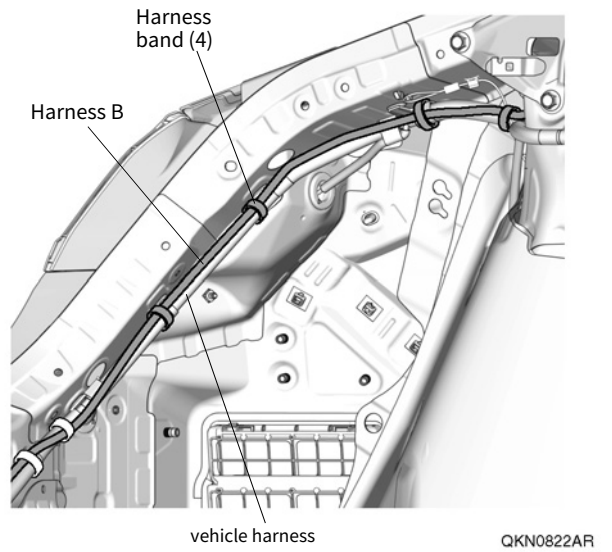
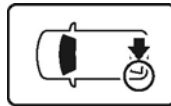
53. Secure harness B.



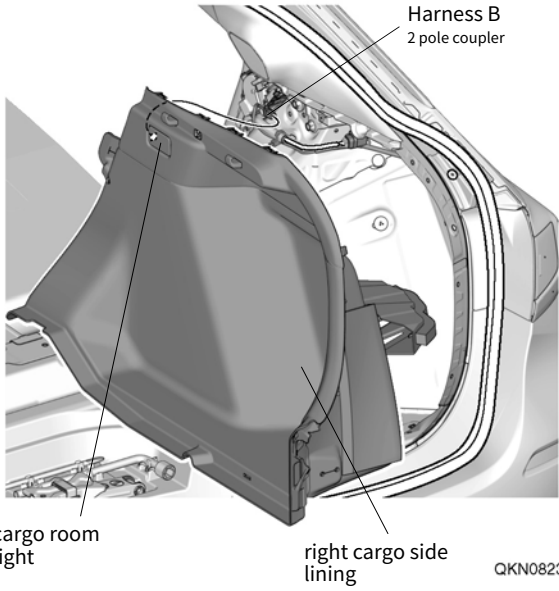
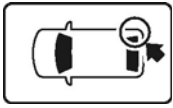
52. Secure harness B.



54. Secure harness B.



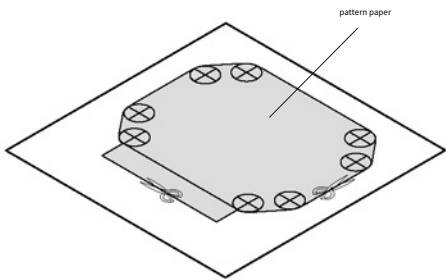
- 55. Connect the coupler of harness B.
- 56. Reinstall the right cargo side lining Ru.



QKN0823AR

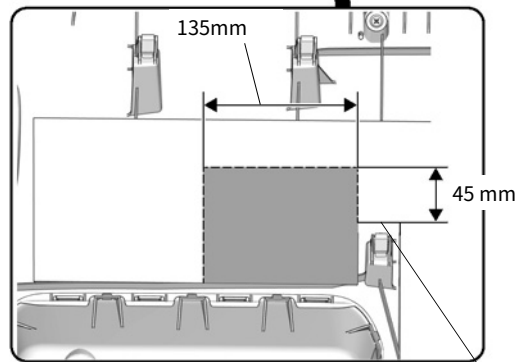
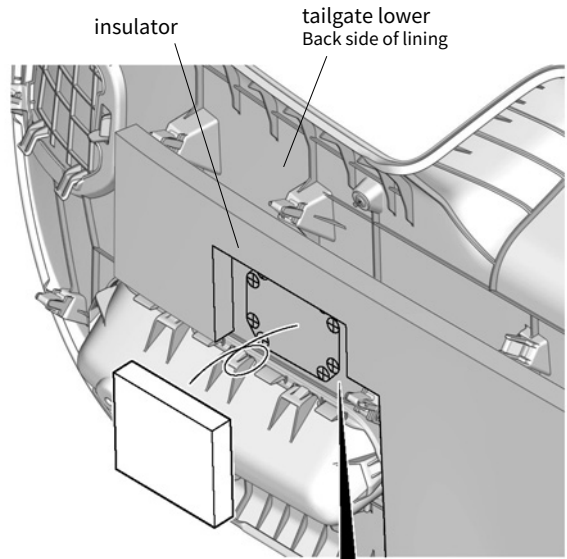
light installation

- 57. Cut the pattern.



QKN0824AR

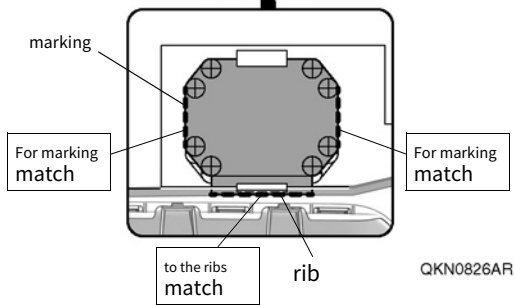
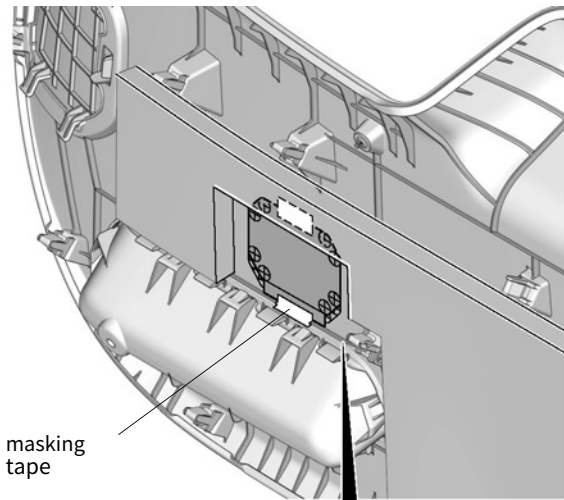
- 58. Cut out the insulator.



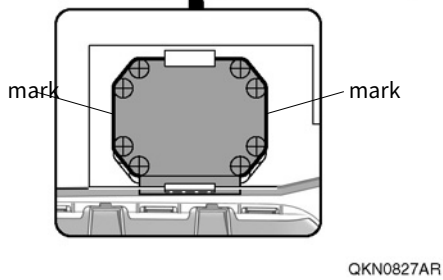
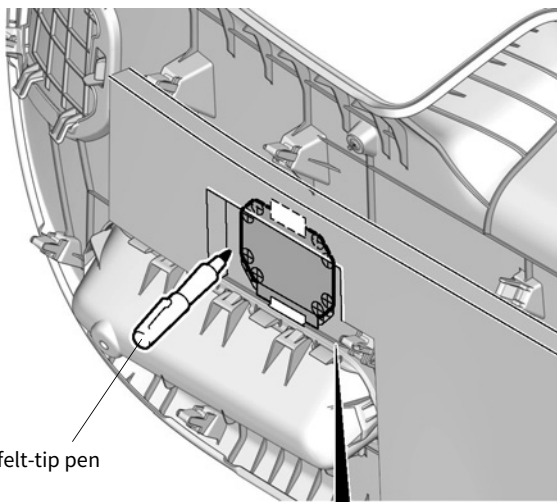
insulator edge

QKN0825DR

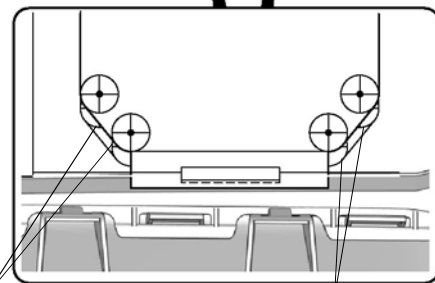
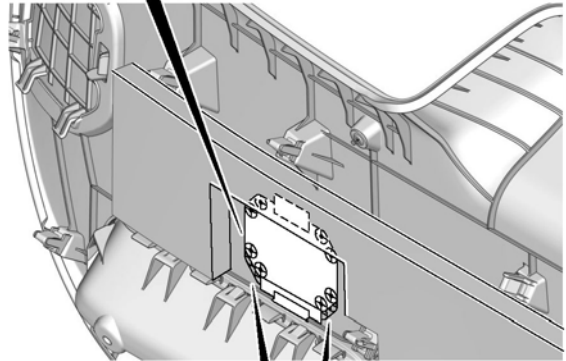
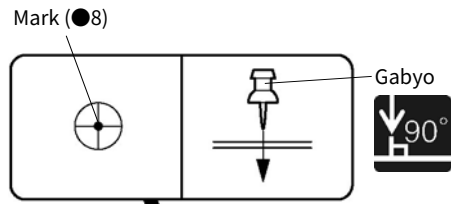
59. Fix the pattern.



60. Mark the tailgate lower lining.



61. Mark the tailgate lower lining.



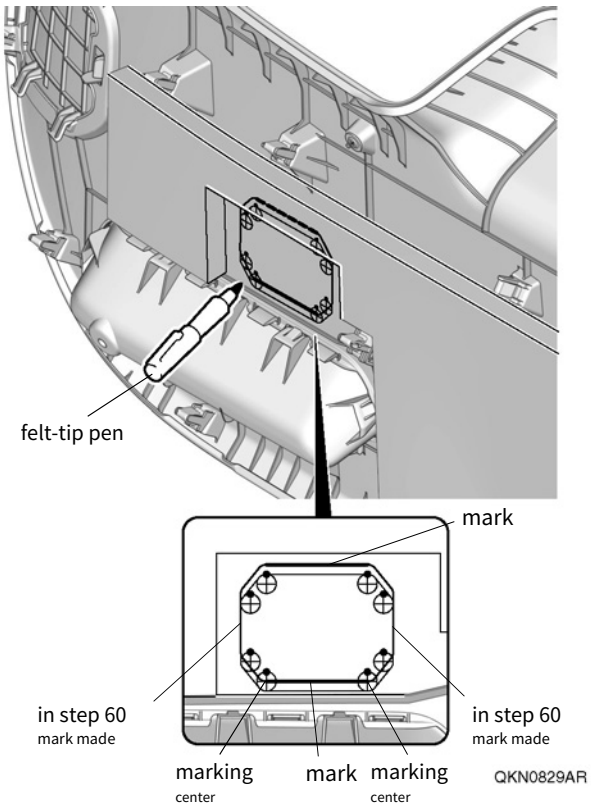
Marking (2)  
do not use

Marking (2)  
do not use

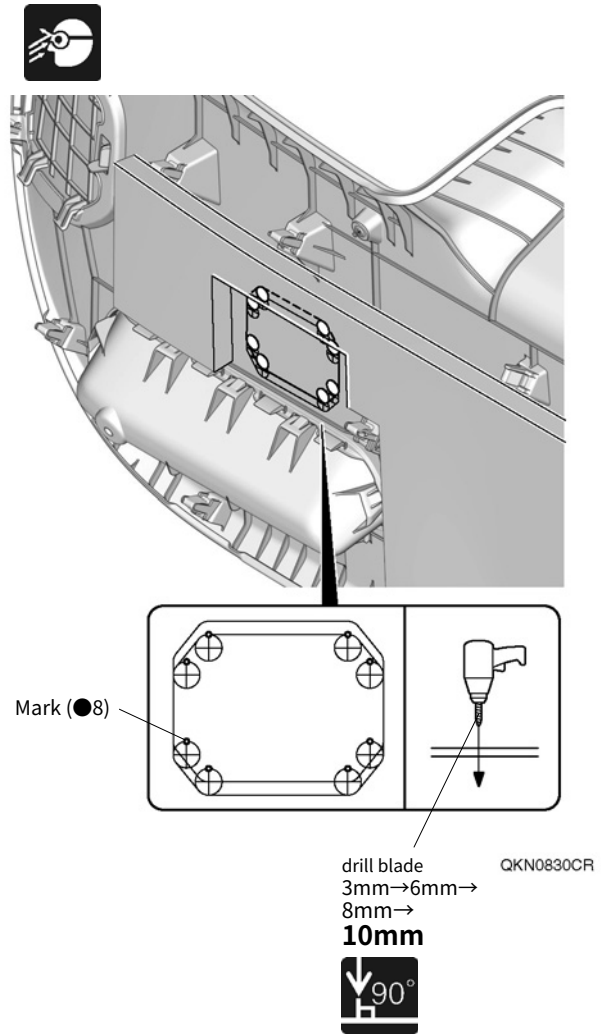
QKN0828BR

62. Remove the pattern.

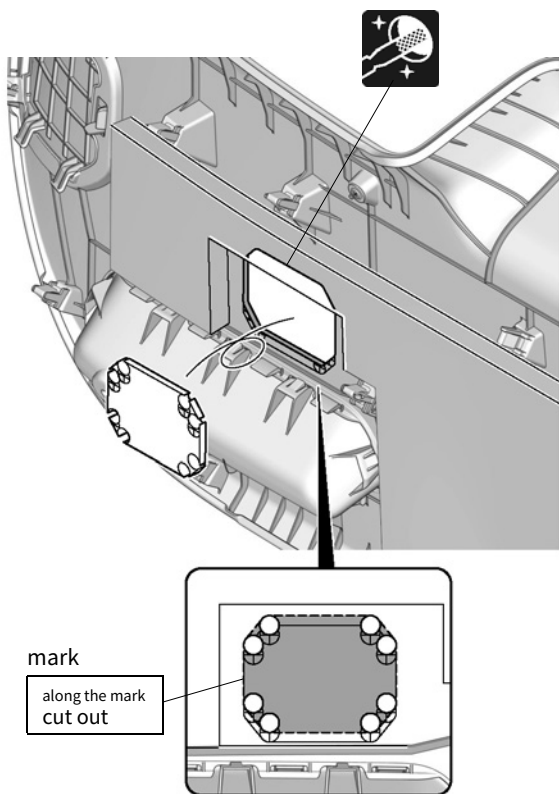
63. Mark the tailgate lower lining.



64. Drill a hole in the tailgate lower lining.



65. Cut out the tailgate lower lining.

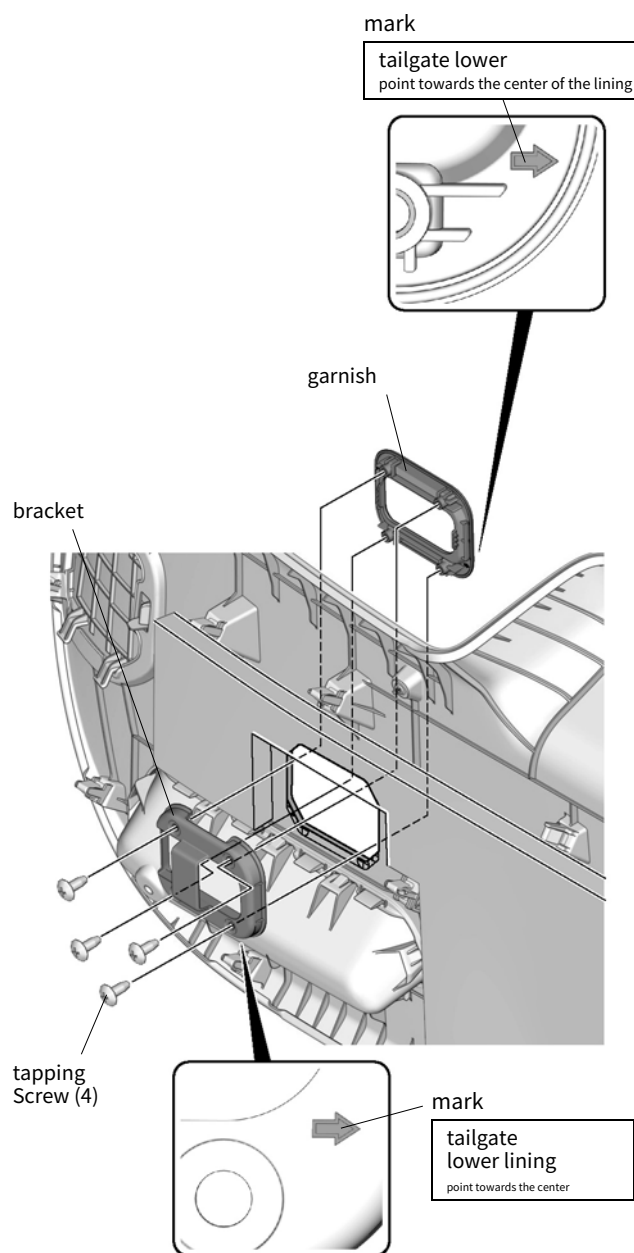


QKN0831BR

66. Attach the garnish and bracket.

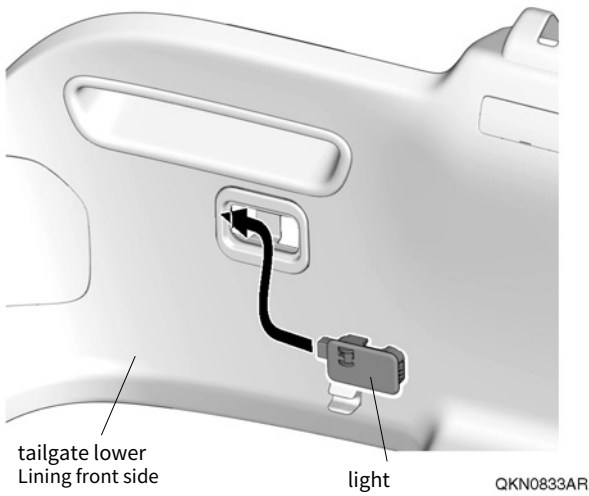
### アドバイス

- Pay attention to the orientation of the garnish and bracket.

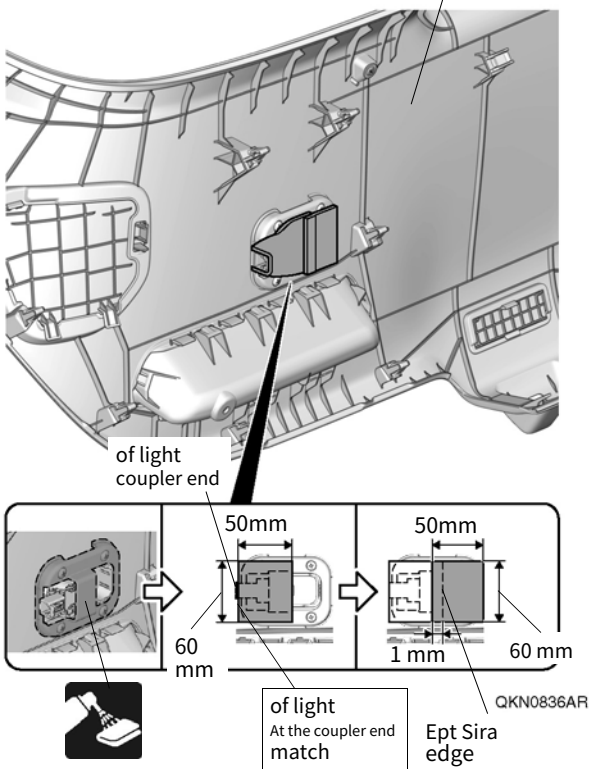
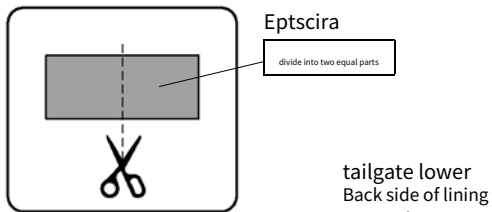


QKN0832CR

67. Attach the light.

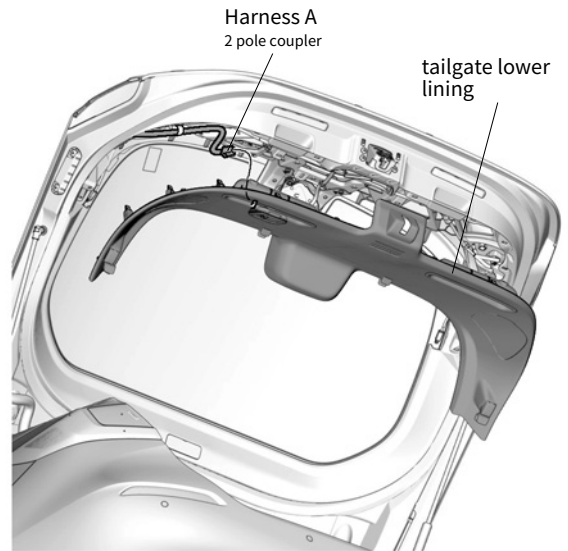
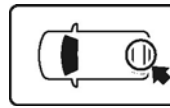


68. Paste Epto Sira.



69. Connect the coupler of harness A.

70. Reinstall the tailgate lower lining Ru.



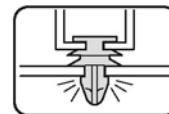
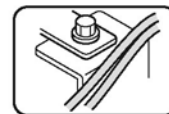
QKN0834AR

Installation confirmation

71. Check that there are no abnormalities in the wiring or installation.

### アドバイス

- Make sure that the harness is not forcefully pushed, pulled, or caught.
- Check that clamps, bands, etc. have not come off or forgotten to tighten.

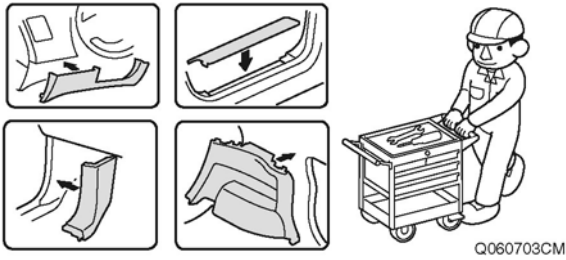


Q060706CM

72. Reinstall the removed vehicle parts.

### アドバイス

- Be careful not to damage vehicle parts or get the harness caught.
- Attach clips, claws, etc. securely so that they do not come loose.



### <Installing the center pillar upper garnish>

73. Center Pillar Upper Garnish and Roof Lie

Check the wrapping fee.

### アドバイス

- Check and adjust the wrap charge by referring to the service manual.

74. Center Pillar Upper Garnish Clip

Exchange.

### アドバイス

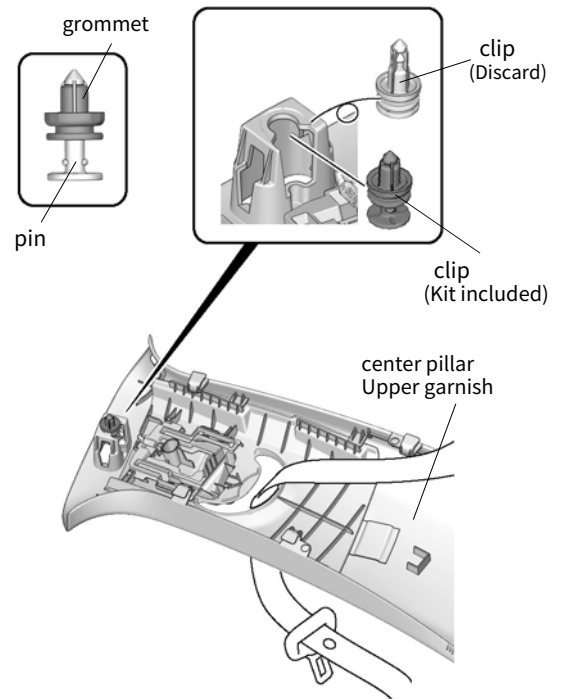
- Clips cannot be reused, so be sure to replace them.
- The grommet is against the tip of the pin.

75. Install the center pillar upper garnish.

### アドバイス

- Check that the airbag is not caught by the clip.
- Do not press the center pillar upper garnish too much.

76. Reinstall the cap.



<Installing the rear pillar garnish>

77. Rear pillar garnish and roof lining

Check the wrap fee.

**アドバイス**

- Check and adjust the wrap charge by referring to the service manual.

78. Replace the rear pillar garnish clip.

**アドバイス**

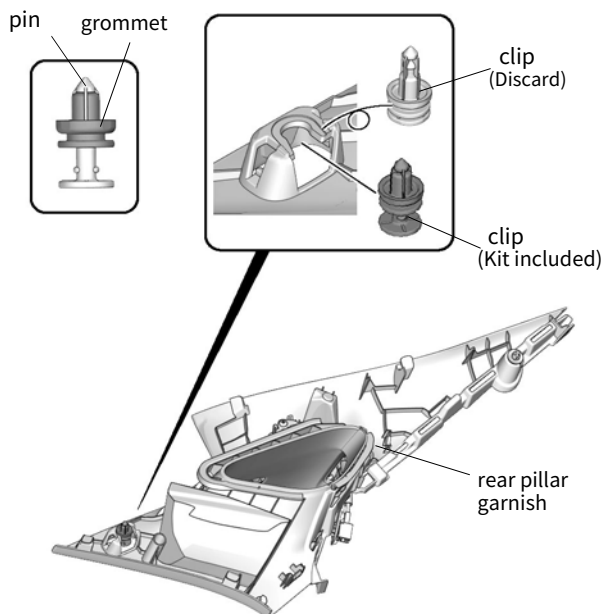
- Clips cannot be reused, so be sure to replace them.
- The grommet is against the tip of the pin.

79. Install the rear pillar garnish.

**アドバイス**

- Check that the airbag is not caught by the clip.
- Do not push the rear pillar garnish too far.

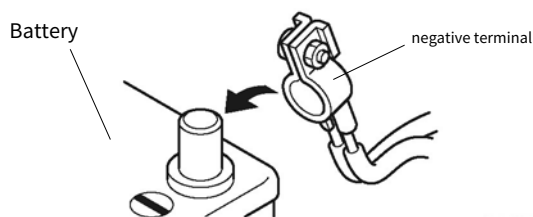
80. Reinstall the cap.



QKN0469AT

Operation confirmation

81. Connect the negative (-) terminal of the battery.



Q060702BM

82. Enter the navigation security code if necessary do.

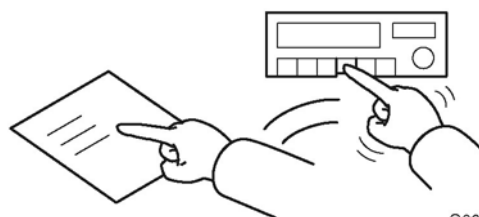
83. Check operation by referring to the instruction manual.

Vehicle confirmation

84. Electrical accessories and electrical systems are in working order  
Make sure to do so.

85. Check the memory and knob positions of each device before installation.

return to normal condition.



Q060704BM

<Inspection/various registration/learning implementation>

86. Perform the learning task associated with removing the battery.

**アドバイス**

- Perform work referring to the service manual.

Please provide the customer with the following:  
**Sai**

- operating instructions